

Part number:

HYDROMA

HYDRAULICKÉ SYSTÉMY

**HIDROMA
SYSTEMS**

UKŁADY HYDRAULICZNE

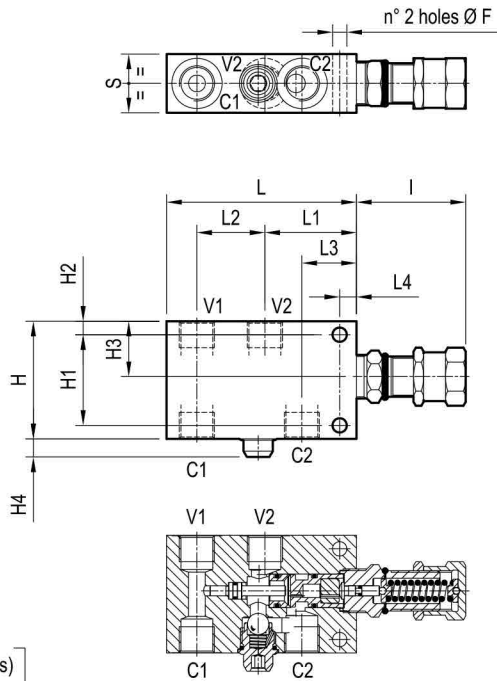
HYDROMA

ГИДРАВЛИЧЕСКИЕ СИСТЕМЫ

**SINGLE COUNTERBALANCE,
RELIEF COMPENSATED**

VBSO-SE-CC

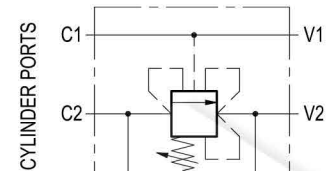
05.41.06 - X - Y - Z



[mm (inches)]

40 (1.58)	10 (0.39)	34 (1.34)	54.5 (2.15)	62.5 (2.46)	135 (5.32)	65 (2.56)	11 (0.43)	38 (1.5)	9.5 (0.37)	70 (2.76)	89 (3.5)	10.5 (0.41)	G 3/4	1.42 (3.1)
35 (1.38)	10 (0.39)	32.5 (1.28)	40.5 (1.6)	54.5 (2.15)	113 (4.55)	65 (2.56)	11 (0.43)	33.5 (1.32)	7.5 (0.3)	54 (2.13)	70 (2.76)	8.5 (0.34)	G 1/2	0.90 (2)
S	L4	L3	L2	L1	L	I	H4	H3	H2	H1	H	F	Y	Weight kg (lbs)

When pressure at V2 rises above the spring bias pressure, the check valve poppet is pushed away from the piston and flow is allowed from V2 to C2. When load pressure at C2 rises above the pressure setting, the relief function is activated and flow is relieved from C2 to V2. With pilot pressure at V1-C1, the pressure setting is reduced in proportion to the pilot ratio, until opening and allowing flow from C2 to V2. The spring chamber is drained to V2. The valve applies a balanced piston allowing relief operation at the valve setting independent of back-pressure at V2. However, the piloted opening of the valve remains subject to additive pressure at port V2.



TECHNICAL DATA

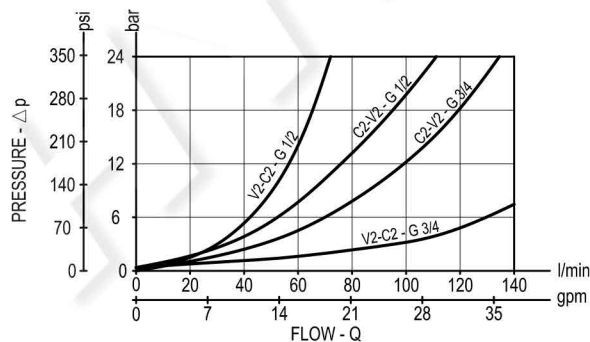
Operating pressure: up to 210 bar (3000 psi)

Max flow: see performance graph

Aluminium body

NOTE: aluminium bodies are often strong enough for operating pressures exceeding 210 bar (3000 psi), depending from the fatigue life expected in the specific application. If in doubt, consult our Service Network.

Relief setting: at least 1.3 times the highest expected load.



X PILOT RATIO

02	8.2 : 1
10	3.2 : 1

SPRINGS

Z	Adj. press. range bar (psi)	Pres. increase bar/turn (psi/turn)	Std. setting bar (psi) Q=5 l/min	Ordering code	Colour
20	60-210 (870-3000)	54 (783)	200 (2900)	03.51.01.075	green
35	100-350(1450-5000)	95 (1378)	350 (5000)	03.51.01.059	yellow

PORT SIZE

Y	V1-V2-C1-C2
03	G 1/2
04	G 3/4